

Versatile driver for most high-performance dimming applications. Reduce complexity with universal input voltage and multiple dimming protocols in a single driver.

- ELV, Triac, and 0-10V dimming in a single driver
- 110-277V universal input
- No minimum load
- Minimum dimming level of 1-5%, depending on dimmer
- UL listed and Title 24 compliant
- 5-year warranty

Technical Information:

- Wide dimmer compatibility
- Title 24/UL
- Available with or without UL Listed junction box



100W option with J-BOX shown

Recommended Dimmers

Name	Model
Lutron Ariadni	AYLV-600P
Lutron Ariadni	AYCL-153P
Lutron Diva	DVELV-300P
Lutron Diva	DVCL-153-P
Lutron Diva	DV-600P
Lutron Homeworks	HWD 6ND WH
Lutron Homeworks QS	HQRD 6ND
Lutron Maestro	MACL-153M
Lutron Maestro	MAELV-600
Lutron Maestro	MRF2-6ND-120
Lutron Maestro	MA-PRO
Lutron Nova T* CL	NTCL 250
Lutron Nova T	NTLV-603P
Lutron Radio RA2	RRD-10ND
Lutron Radio RA2	RRD 6CL WH
Lutron Verti	VT-1000MN
Leviton Decora	DSE06-10Z
Leviton Illumatech	IPL06-10Z
Leviton Sureslide	6674-P
Legrand Paddle	ADPD453LW2
Forbes & Lomax MLV	FLRLV603P
Forbes & Lomax INC/HAL	FLR603P
Crestron Cameo	CLW-DIMEX-P
Crestron Cameo	CLW-DLEVEX
Lutron Diva 0-10V	DVTV
Lutron Nova 0-10V	NFTV
Lutron Nova T 0-10V	NTFTV
Leviton Illumatech 0-10V	IP710-LFZ

SKU Builder

Diode LED	Model	Voltage	Wattage	Junction Box Options
DI	ODX	24V 12V	30W 60W 96W (24V Only) 100W (12V Only) 120W 200W	[leave blank for driver only] J (Driver with indoor J-Box) J3R (Driver with outdoor J-Box)

Example: DI-ODX-12V30W-J3R

Specifications

SKU	Input	Wattage	Dimensions w/o J-Box	Dimensions w/ J-Box	Dimensions w/ NEMA3R
24V					
DI-ODX-24V30W	120-277V	30W	2.1 x 6.1 x 0.8 in.	11.25 x 3.75 x 1.8 in.	6.3 x 10.79 x 2.17 in.
DI-ODX-24V60W	120-277V	60W	2.4 x 7 x 0.9 in.	13.5 x 4.5 x 2.25 in.	
DI-ODX-24V96W	120-277V	96W	2.7 x 9 x 1.7 in.		
DI-ODX-24V120W-JBOX	120-277V	120W	N/A	15 x 3.1 x 2.3 in.	N/A
DI-ODX-24V200W-JBOX	120-277V	200W		16 x 3.4 x 2.4 in.	
12V					
DI-ODX-12V30W	120-277V	30W	2.1 x 6.1 x 0.8 in.	11.25 x 3.75 x 1.8 in.	6.3 x 10.79 x 2.17 in.
DI-ODX-12V60W	120-277V	60W	2.4 x 7 x 1 in.	13.5 x 4.5 x 2.25 in.	
DI-ODX-12V100W-JBOX	120-277V	100W		9 x 2.8 x 1.8 in.	
DI-ODX-12V120W-JBOX	120-277V	120W	N/A	15 x 3.1 x 2.3 in.	N/A
DI-ODX-12V200W-JBOX	120-277V	200W		16 x 3.4 x 2.4 in.	

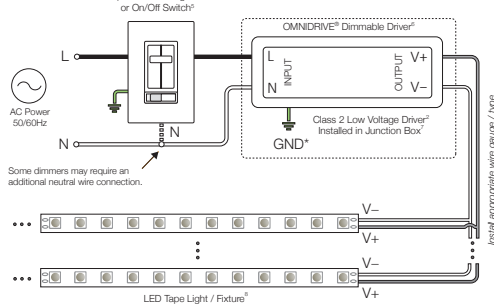
System Diagrams

The following diagrams are provided as example system designs. Install in accordance with national and local electrical code regulations.

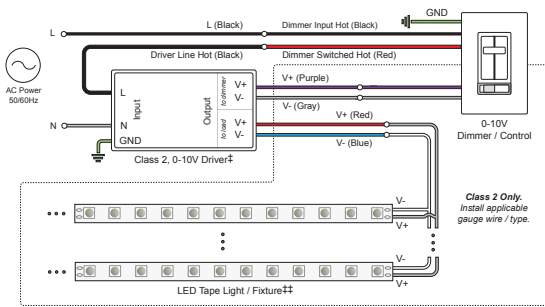
DIAGRAM KEY

- L = Line (Black, *Orange for 277VAC models*)
- B = Line Boost Tap (Orange)
- N = Neutral (White)
- GND = Ground (Green)
- V+ = Low Voltage Positive (Red)
- V- = Low Voltage Negative (Blue)

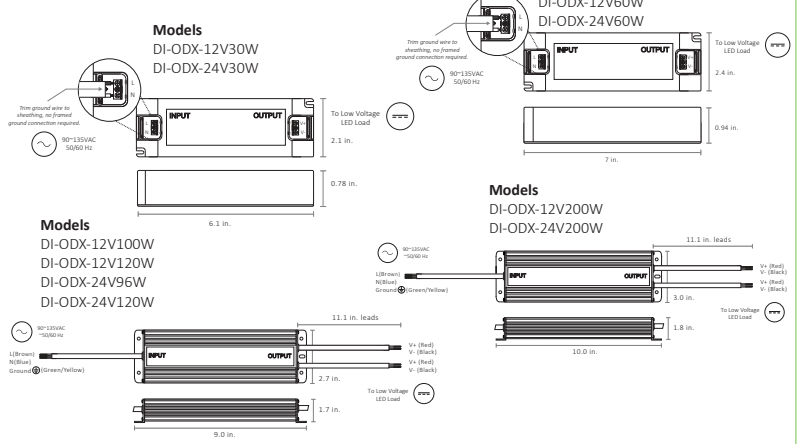
STANDARD DIMMER/DRIVER DIAGRAM



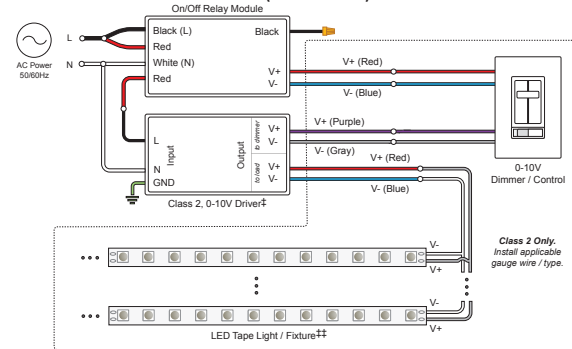
0-10V CONTROL SYSTEM DIAGRAM (NO RELAY)



Mechanical Diagrams



0-10V CONTROL SYSTEM DIAGRAM (WITH RELAY)



ADDITIONAL RESOURCES

- OMNIDRIVE X Installation Guide
- OMNIDRIVE X Compatibility List

SAFETY / WARNINGS / DISCLOSURES

1. Install in accordance with national and local electrical code regulations.
2. This product is intended to be installed and serviced by a qualified, licensed electrician.
3. Only install with a Class 2 DC Constant Voltage LED driver.
4. Only use copper wiring. Use wires rated for at least 176°F (80°C) and certified for use with external connection of electrical equipment.
5. Each maximum run requires a dedicated power feed from the driver. Do not extend beyond the recommended maximum run length.
6. Tape light, attached wire leads, and additional extension cables, connectors, etc., are not rated for in-wall installation unless otherwise noted. Tape light and attached wire leads are field-cuttable.
7. Ensure applicable wire is installed between driver, fixture, and any controls in-between. When choosing wire, factor in voltage drop, amperage rating, and type (in-wall rated, wet location rated, etc.). Inadequate wire installation could overheat wires, and cause fire.
8. Do not install in environment where LED chips are exposed to direct sunlight as damage to the phosphor will occur.
9. Do not install in environment where excessive heat may exist (ex. close proximity to fireplace, etc.) See Ambient Temperature ratings
10. Do not install indoor LED tape light products in outdoor / wet location environments. Only wet location tape light models are rated for outdoor / wet locations.
11. Do not modify product beyond instructions or warranty will be void.
12. Tape light must be handled with care. Excessive handling, bending, and pressure may damage the product, voiding the warranty.
13. Actual color may vary from what is pictured on this sheet and other print materials due to the limitations of photographic processes.
14. We reserve the right to modify and improve the design of our fixtures without prior notice. We cannot guarantee to match existing installed fixtures for subsequent orders or replacements in regards to product appearance, CCT, or lumen output.

WARRANTY

Limited Warranty

This product has a five (5) year limited warranty from the date of shipment. This warranty does not include the additional accessories referenced in this specification sheet. Complete warranty details for fixtures and additional accessories are available at www.diodeled.com/limited-warranty/ within the Policies section. For warranty related questions please contact product support.

Consumer's Acknowledgment

Elemental LED, Inc. stands behind its products when they are used properly and according to our specifications. By purchasing our products, the purchaser agrees and acknowledges that lighting design, configuration and installation is a complex process, wherein seemingly minor factors or changes in layout and in-field adjustments can have a significant impact on an entire system. Choosing the correct components is essential. Elemental LED is able to work with the original purchaser to make an appropriate product selection to the extent of the limited information that the customer can provide, but it is virtually impossible for Elemental LED to design a system that foresees every unknown factor. For this reason, this Warranty does not cover problems caused by improper design, configuration or installation issues. Any statement from a Elemental LED employee or agent regarding a customer's bill of goods and/or purchase order is NOT an acknowledgment that the products

purchased are designed and configured correctly. The purchase agrees and acknowledges that it is the customer's responsibility to adhere strictly to all information contained in the Product Specification Sheets.

There is often more than one way to design, configure and layout an LED lighting application properly to achieve the same lighting effect. Elemental LED strongly recommends that licensed professionals be used in the design and installation of lighting systems that include Elemental LED products. The specifications include important information that a designer and installer should carefully review and strictly follow. Qualified designers and certified and/or licensed installers, with access to the final installation environment, customer goals, and Elemental LED product specifications can make the requisite decisions appropriate for a successful finished lighting application.