

# HAZBLED26F-DG



Wall Mount HAZLED is a Class I, Division 2 LED fixture designed with 57 years of experience in hazardous location lighting.

Color: Natural

Weight: 13.3 lbs

**Project:**

**Type:**

**Prepared By:**

**Date:**

### Driver Info

Type:	Constant Current
120V:	0.25A
208V:	0.13A
240V:	0.12A
277V:	0.11A
Input Watts:	27W
Efficiency:	95%

### LED Info

Watts:	26W
Color Temp:	5100K
Color Accuracy:	72 CRI
L70 Lifespan:	100000
Lumens:	2,325
Efficacy:	85 LPW

## Technical Specifications

### Hazardous Location Classifications

#### UL 844:

Electric lighting fixtures for use in hazardous (classified) locations

#### UL 1598:

Electric lighting fixtures for use in non-hazardous locations

#### UL 8750:

Light Emitting Diode (LED) Light Sources for Use in Lighting Products

### Hazardous Location Classifications:

Class I: A hazardous location in which flammable gases or vapors may be present in the air in sufficient quantities to be explosive or ignitable, such as petroleum refineries, aircraft hangars, dry cleaning plants, utility gas plants or storage areas for liquified petroleum or natural gas, and spray finishing areas.

Division 2: Abnormal condition, where ignitable concentrations of flammable gases, vapors or liquids are not like to exist under normal operating conditions, for example:

Closed storage drums containing flammable liquids in an inside storage room would not normally allow the hazardous vapors to escape into the atmosphere. But if one of the containers is leaking, you've got an abnormal condition.

Groups A - D: The gases and vapors of Class 1 locations are broken into four groups by the Code: A,B,C, and D. These materials are grouped according to the ignition temperature of the substance, its explosion pressure, and other flammable characteristics.

Group A - The only substance in group A is acetylene because it is a gas with extremely high explosion pressures.

Group B - This group includes hydrogen and other materials with similar characteristics.

Group C & D - The most usual Class 1 groups. They comprise the greatest percentage of all Class I hazardous locations. Found in Group C is ethylene. Found in Group D are many of the most common flammable substances such as butane, gasoline, natural gas and propane.

### T Ratings:

HAZLED™ 26W model is T3C rated

### LED Characteristics

#### LEDs:

Multi-chip, high-output, long-life LEDs

#### Lifespan:

100,000-hour LED lifespan based on IES LM-80 results and TM-21 calculations.

#### Color Stability:

LED color temperature is warranted to shift no more than 200K in CCT over a 5 year period.

#### Color Uniformity:

RAB's range of CCT (Correlated Color Temperature) follows the guidelines of the American National Standard for Specifications for the Chromaticity of

### Construction

#### Ambient Temperature:

Suitable for use in 50°C (122°F) ambient temperatures.

#### IP Rating:

Ingress Protection rating of IP66 for dust and water.

#### Thermal Management:

Superior heat sinking with external Air-Flow fins

#### Housing:

Die-cast aluminum housing, lens frame and mounting arm

#### Hardware:

All external hardware is stainless steel

#### Reflector:

Semi-specular aluminum

#### Lens/Globes:

Frosted globes

#### Mounting:

Wall mounting with junction box included.

#### Gaskets:

Closed cell silicone gasket

### Finish:

Our environmentally friendly polyester powder coatings are formulated for high-durability and long-lasting color, and contain no VOC or toxic heavy metals.

### Green Technology:

Mercury and UV free, and RoHS compliant. Polyester power coat finish formulated without the use of VOC or toxic heavy metals.

### Electrical

#### Driver:

Constant Current, Class 2, 100-277V, 50/60 Hz, 700mA, THD <20%, Power Factor 95%

#### Other

### Equivalency:

The HAZBLED26 is equivalent in delivered lumens to a 70 Watt metal halide.

### California Title 24:

26 Watt HAZLED complies with 2013 California Title 24 building and electrical codes as a commercial outdoor non-pole-mounted fixture ≤ 30 Watts when used with a remote mounted photosensor control.

### Country of Origin:

Designed by RAB in New Jersey and assembled in the USA by RAB's IBEW Local 3 workers.

### Buy American Act Compliant:

This product is a COTS item manufactured in the United States, and is compliant with the Buy American Act.

### Recovery Act (ARRA) Compliant:

This product complies with the 52.225-21 "Required Use of American Iron, Steel, and Manufactured Goods-- Buy American Act-- Construction Materials (October 2010).

## Technical Specifications (continued)

### Other

#### Trade Agreements Act Compliant:

This product is a COTS item manufactured in the United States, and is compliant with the Trade Agreements Act.

#### GSA Schedule:

Suitable in accordance with FAR Subpart 25.4.

### Listings

#### IESNA LM-79 & LM-80 Testing:

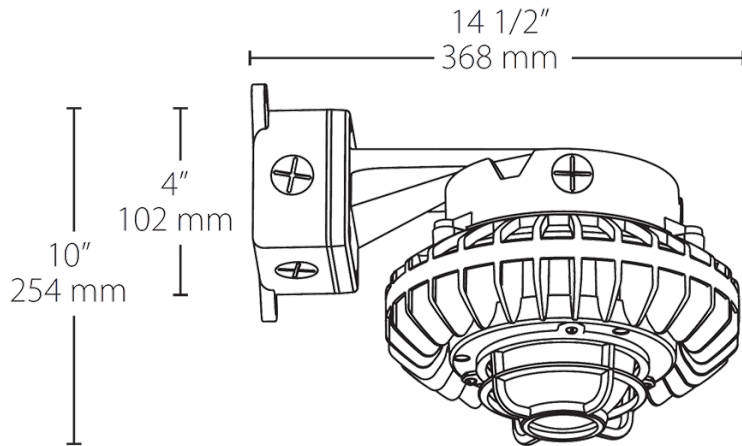
RAB LED luminaires have been tested by an independent laboratory in accordance with IESNA LM-79 and LM-80, and have received the Department of Energy "Lighting Facts" label.

### Optical

#### BUG Rating:

B1 U3 G1

## Dimensions



## Features

Class 1, Division 2, Groups A, B, C, D

IP66, UL1958, UL8750 and UL 844 ratings

Resistant to shock and vibration

Rugged construction ensures long-life and safe operation

100,000-Hour LED lifespan

5-Year, no-compromise warranty

## Ordering Matrix

Family	Watts	Lens	Globes	Guard	Voltage
HAZBLED	26 = 26W 42 = 42W 80 = 80W	= No lens CF = Clear lens FF = Frosted lens	= No globes C = Clear globes F = Frosted globes	= No guard G = Wire guard DG = Die cast guard	= 120-277V 480 = 480V* (Only in 80W)