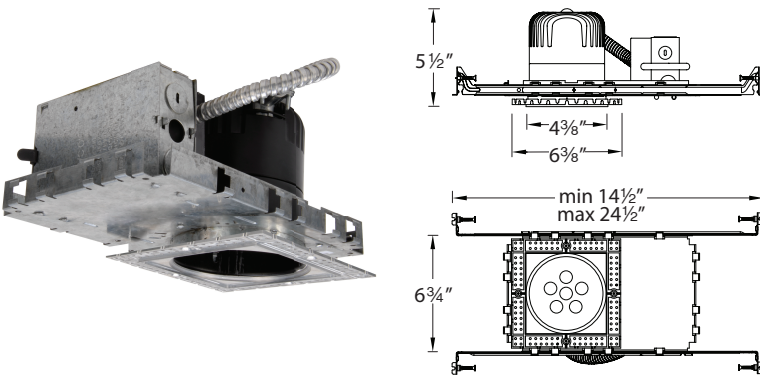


# HR-LED418-NIC-SQ – Invisible Trim™

## 4" LEDme® – IC-Rated, New Construction Housing

# WAC LIGHTING

Responsible Lighting®



Fixture Type:

Catalog Number:

Project: \_\_\_\_\_

Location: \_\_\_\_\_

### PRODUCT DESCRIPTION

4 inch LEDme® Invisible Trim™ IC-Rated new construction housing, includes six 3W LED's. Includes spackle ring to permit a stable finished installation with a drywall ceiling. For use with LEDme® 4 inch square Invisible Trim™.

### FEATURES

- Eney Star®
- Cutout: 4 3/8"
- Trims recess into housings flush to the ceiling
- 100,000 hour rated life
- Accommodates ceiling thickness up to 1"
- UL and CUL Listed
- 5 year WAC Lighting product warranty

### FIXTURE PERFORMANCE

Model #	Color Temp	Watt	Lumens	Efficacy	CRI
HR-LED418-NIC-SQ-27	2700K	10.2W	639	58.1 Lm/W	85
HR-LED418-NIC-SQ-W	3000K	10.2W	639	58.1 Lm/W	85
HR-LED418-NIC-SQ-35	3500K	10.2W	681	62.0 Lm/W	80
HR-LED418-NIC-SQ-C	4500K	10.2W	815	70.0 Lm/W	75

### ORDER NUMBER

Model #	Color Temp
HR-LED418-NIC-SQ	27 2700K W 3000K 35 3500K C 4500K

### REPLACEMENT MODULES

Model #	Color Temp
RM6X3-27-DL	2700K
RM6X3-30-DL	3000K
RM6X3-35-DL	3500K
RM6X3-45-DL	4500K

**HR-LED418-NIC-SQ** –

Example: HR-LED418-NIC-SQC

### COMPATIBLE TRIMS

Model #	Description	Finish – (where there is a slash (/) the letters correspond as: interior finish/ exterior finish)
HR-LED451TL	Square, Open Reflector Downlight	Black/Brushed Nickel (BK/BN), Black/White (BK/WT), White/White (WT/WT)

Example: HR-LED451TL-BK/BN

See individual trim spec sheets for complete information.

WAC Lighting  
www.waclighting.com  
Phone (800) 526.2588 • Fax (800) 526.2585

Headquarters/Eastern Distribution Center  
44 Harbor Park Drive • Port Washington, NY 11050  
Phone (516) 515.5000 • Fax (516) 515.5050

Western Distribution Center  
1750 Archibald Avenue • Ontario, CA 91760  
Phone (800) 526.2588 • Fax (800) 526.2585

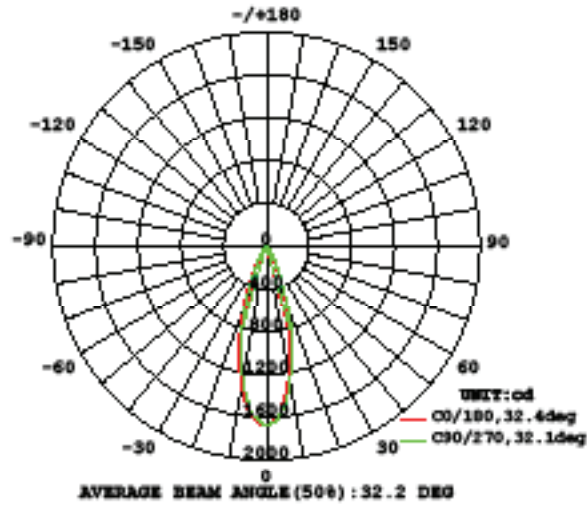
# HR-LED418-NIC-SQ – Invisible Trim™

## Photometrics

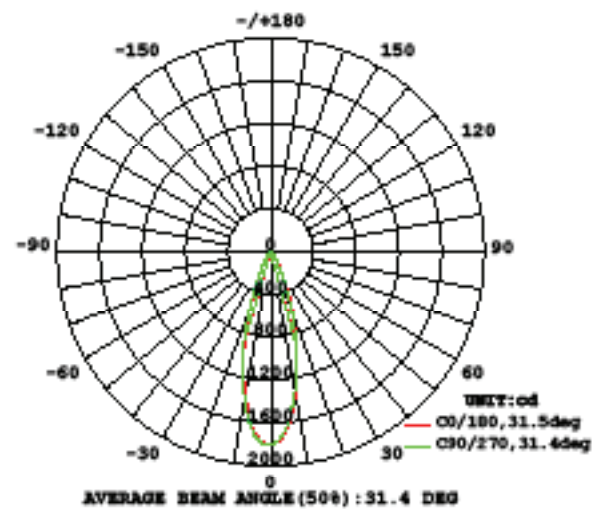
# WAC LIGHTING

Responsible Lighting®

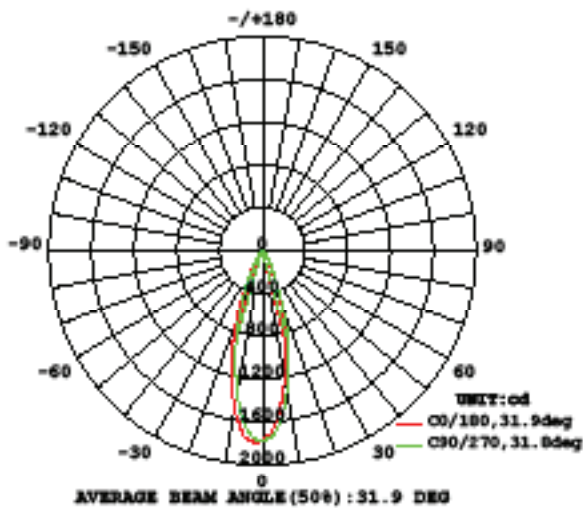
2700K



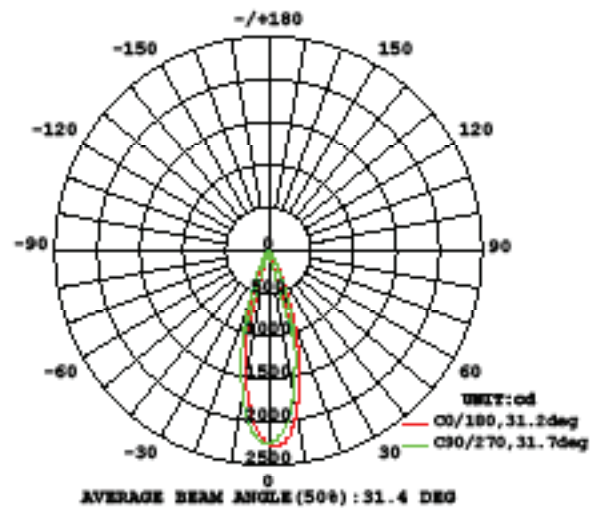
3000K



3500K



4500K



WAC Lighting  
www.waclighting.com  
Phone (800) 526.2588 • Fax (800) 526.2585

Headquarters/Eastern Distribution Center  
44 Harbor Park Drive • Port Washington, NY 11050  
Phone (516) 515.5000 • Fax (516) 515.5050

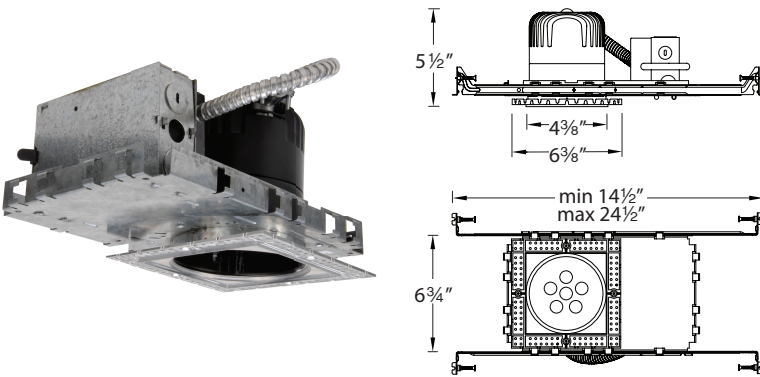
Western Distribution Center  
1750 Archibald Avenue • Ontario, CA 91760  
Phone (800) 526.2588 • Fax (800) 526.2585

# HR-LED418-N-SQ – Invisible Trim™

## 4" LEDme® – Non-IC, New Construction Housing

# WAC LIGHTING

Responsible Lighting®



Fixture Type:

Catalog Number:

Project: \_\_\_\_\_

Location: \_\_\_\_\_

### PRODUCT DESCRIPTION

4 inch LEDme® Invisible Trim™ Non-IC new construction housing, includes six 3W LED's. Includes spackle ring to permit a stable finished installation with a drywall ceiling. For use with LEDme® 4 inch square Invisible Trim™.

### FEATURES

- Eney Star®
- Cutout: 4 3/8"
- Trims recess into housings flush to the ceiling
- 100,000 hour rated life
- Accommodates ceiling thickness up to 1"
- UL and CUL Listed
- 5 year WAC Lighting product warranty

### FIXTURE PERFORMANCE

Model #	Color Temp	Watt	Lumens	Efficacy	CRI
<b>HR-LED418-N-SQ-27</b>	2700K	16W	846	56.4 Lm/W	85
<b>HR-LED418-N-SQ-W</b>	3000K	16W	846	56.4 Lm/W	85
<b>HR-LED418-N-SQ-35</b>	3500K	16W	901	60.1 Lm/W	80
<b>HR-LED418-N-SQ-C</b>	4500K	16W	1135	67.1 Lm/W	75

### ORDER NUMBER

Model #	Color Temp
<b>HR-LED418-N-SQ</b>	<b>27</b> 2700K
	<b>W</b> 3000K
	<b>35</b> 3500K
	<b>C</b> 4500K

### REPLACEMENT MODULES

Model #	Color Temp
<b>RM6X3-27-DL</b>	2700K
<b>RM6X3-30-DL</b>	3000K
<b>RM6X3-35-DL</b>	3500K
<b>RM6X3-45-DL</b>	4500K

**HR-LED418-N-SQ** -

Example: **HR-LED418-N-SQC**

### COMPATIBLE TRIMS

Model #	Description	Finish – (where there is a slash (/) the letters correspond as: interior finish/ exterior finish)
<b>HR-LED451TL</b>	Square, Open Reflector Downlight	Black/Brushed Nickel ( <b>BK/BN</b> ), Black/White ( <b>BK/WT</b> ), White/White ( <b>WT/WT</b> )

Example: **HR-LED451TL-BK/BN**

See individual trim spec sheets for complete information.

### WAC Lighting

www.waclighting.com  
Phone (800) 526.2588 • Fax (800) 526.2585

### Headquarters/Eastern Distribution Center

44 Harbor Park Drive • Port Washington, NY 11050  
Phone (516) 515.5000 • Fax (516) 515.5050

### Western Distribution Center

1750 Archibald Avenue • Ontario, CA 91760  
Phone (800) 526.2588 • Fax (800) 526.2585

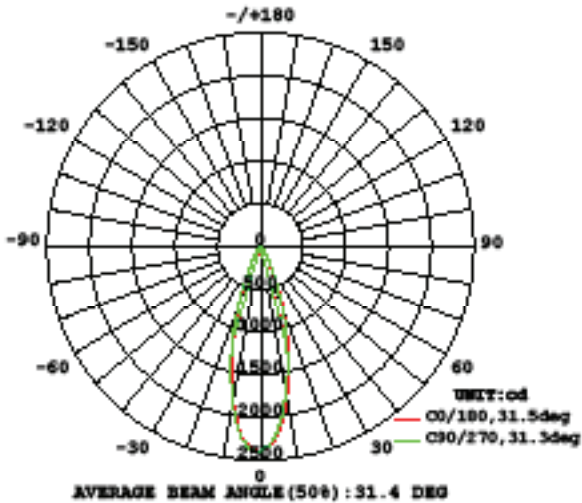
# HR-LED418-N-SQ – Invisible Trim™

## Photometrics

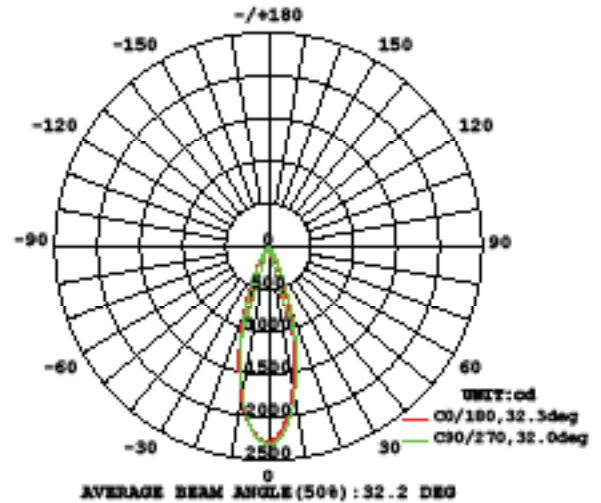
# WAC LIGHTING

Responsible Lighting®

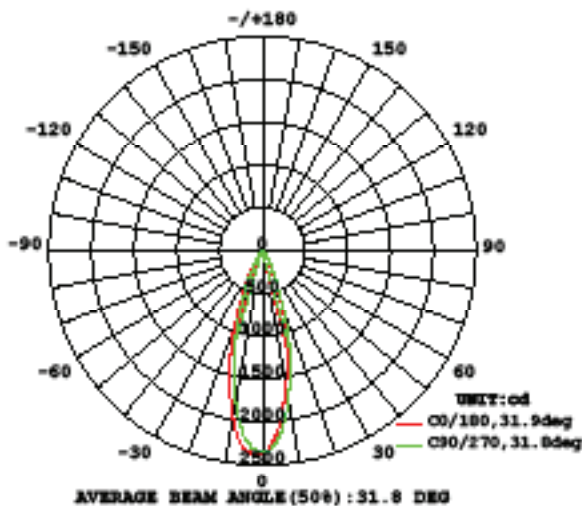
2700K



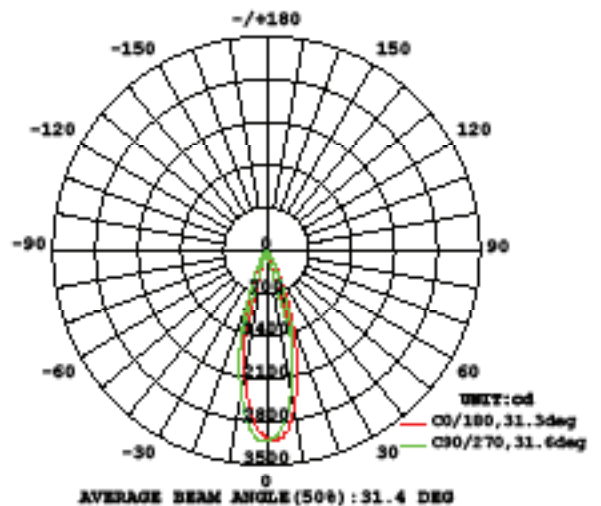
3000K



3500K



4500K



WAC Lighting  
www.waclighting.com  
Phone (800) 526.2588 • Fax (800) 526.2585

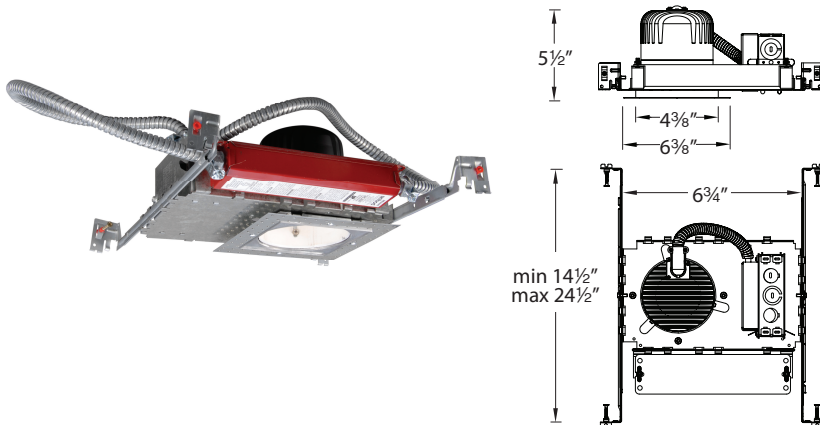
Headquarters/Eastern Distribution Center  
44 Harbor Park Drive • Port Washington, NY 11050  
Phone (516) 515.5000 • Fax (516) 515.5050

Western Distribution Center  
1750 Archibald Avenue • Ontario, CA 91760  
Phone (800) 526.2588 • Fax (800) 526.2585

# HR-LED418-N-SQ-XX-EM – Invisible Trim™

4" LEDme® – Non-IC, New Construction Housing  
Emergency Backup Battery

WAC LIGHTING  
Responsible Lighting®



Fixture Type:

Catalog Number:

Project:

Location:

## PRODUCT DESCRIPTION

4 inch LEDme® Invisible Trim™ Non-IC new construction housing, includes six 3W LED's. Includes spackle ring to permit a stable finished installation with a drywall ceiling. For use with LEDme® 4 inch square Invisible Trim™.

## FEATURES

- Energy Star®
- Cutout: 4 3/8"
- 90 min emergency backup battery
- Trims recess into housings flush to the ceiling
- 100,000 hour rated life
- Accommodates ceiling thickness up to 1"
- UL and CUL Listed
- 5 year WAC Lighting product warranty

## FIXTURE PERFORMANCE

Model #	Color Temp	Watt	Lumens	Efficacy	CRI
HR-LED418-N-SQ-27	2700K	16W	846	56.4 Lm/W	85
HR-LED418-N-SQ-W	3000K	16W	846	56.4 Lm/W	85
HR-LED418-N-SQ-35	3500K	16W	901	60.1 Lm/W	80
HR-LED418-N-SQ-C	4500K	16W	1135	67.1 Lm/W	75

## ORDER NUMBER

Model #	Color Temp	EM Battery
HR-LED418-N-SQ	27 2700K W 3000K 35 3500K C 4500K	EM

## REPLACEMENT MODULES

Model #	Color Temp
RM6X3-27-DL	2700K
RM6X3-30-DL	3000K
RM6X3-35-DL	3500K
RM6X3-45-DL	4500K

## SPECIFICATIONS

**Construction:** Die-cast aluminum heat sink painted black. Housing and junction box are 20 gauge steel. Frame, hanger bars and spackle trim are heavy gauge galvanized steel.

**J-Box:** Seven knockouts and four Romex® style wiring connectors provided for ease of installation. Rated for branch wiring.

**Driver:** Electronic driver, 120VAC/60Hz input, 16W output, 700mA current. Power factor >0.9. Dimming with thermal protection. 90 min emergency backup battery.

**Light Source:** Includes six 3W ANSI compliant Warm/Neutral LEDs for the finest color consistency possible. Replacement modules available.

**Dimming:** May be dimmed to 1% with electronic low voltage (ELV) dimmer.

**Mounting:** Supplied with hanger bars, adjustable from 14 1/2"-24 1/2" to accommodate various joist construction and grid sizes. Hanger bars include a captive mounting "screw-nail" for ease of installation. Accommodates surface up to 1" thick. 4 3/8" cutout hole. See instruction sheet for details on installation using spackle ring.

**Rating:** Non-IC: insulation must be kept at least 3" away from the housing.

**Standards:** UL & CUL Listed.

HR-LED418-N-SQ –  – EM

Example: HR-LED418-N-SQ-C-EM

## COMPATIBLE TRIMS

Model #	Description	Finish – (where there is a slash (/) the letters correspond as: interior finish/ exterior finish)
HR-LED451TL	Square, Open Reflector Downlight	Black/Brushed Nickel (BK/BN), Black/White (BK/WT), White/White (WT/WT)

Example: HR-LED451TL-BK/BN

See individual trim spec sheets for complete information.

## WAC Lighting

www.waclighting.com  
Phone (800) 526.2588 • Fax (800) 526.2585

## Headquarters/Eastern Distribution Center

44 Harbor Park Drive • Port Washington, NY 11050  
Phone (516) 515.5000 • Fax (516) 515.5050

## Western Distribution Center

1750 Archibald Avenue • Ontario, CA 91760  
Phone (800) 526.2588 • Fax (800) 526.2585

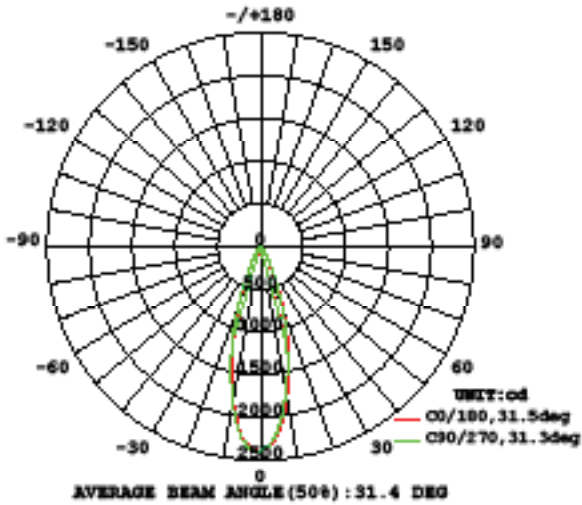
# HR-LED418-N-SQ-XX-EM

Invisible Trim™ – Photometrics

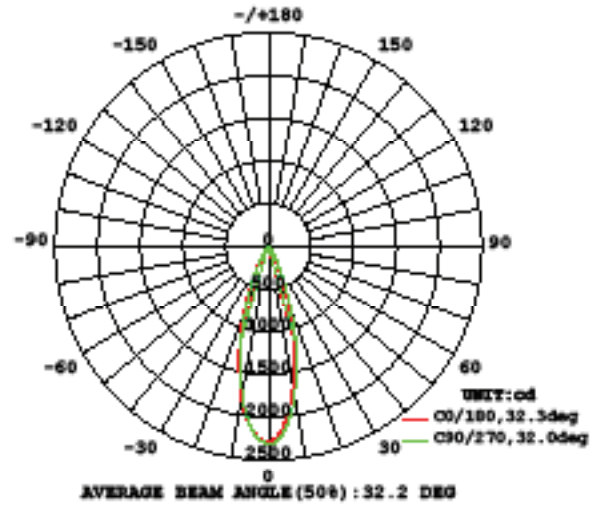
# WAC LIGHTING

Responsible Lighting®

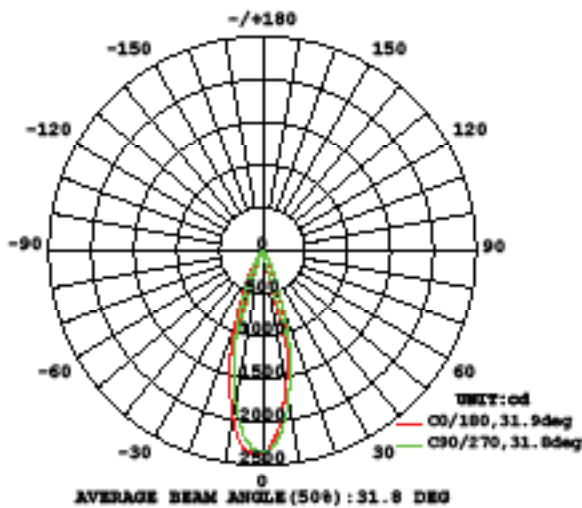
2700K



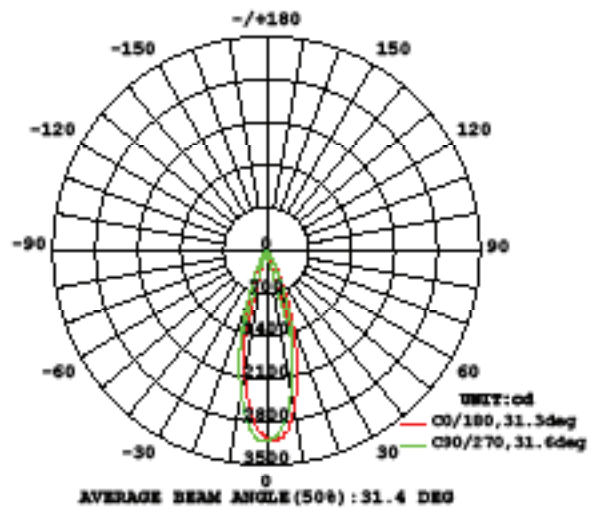
3000K



3500K



4500K



WAC Lighting  
www.waclighting.com  
Phone (800) 526.2588 • Fax (800) 526.2585

Headquarters/Eastern Distribution Center  
44 Harbor Park Drive • Port Washington, NY 11050  
Phone (516) 515.5000 • Fax (516) 515.5050

Western Distribution Center  
1750 Archibald Avenue • Ontario, CA 91760  
Phone (800) 526.2588 • Fax (800) 526.2585