



**DIRECT DRIVE D2**  
DOUBLE-ENDED LINE VOLTAGE LED TUBES

## KT-LED25T8-96G-835-D2

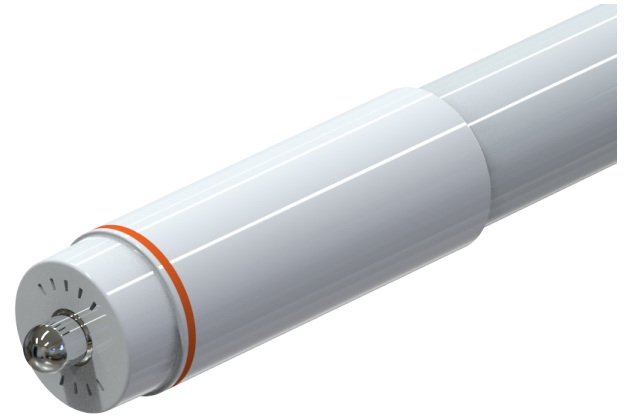
### T8 LED LAMP

#### DESCRIPTION

25W T8 LED | 3500K | > 80 CRI | High-Efficiency | 8-Foot



<b>LAMP TYPE:</b> Linear
<b>BULB TYPE:</b> T8 LED
<b>BASE TYPE:</b> Fa8 (Single-Pin)
<b>WATTAGE:</b> 25W
<b>COLOR TEMPERATURE:</b> 3500K
<b>COLOR RENDERING INDEX (CRI):</b> > 80
<b>WARRANTY:</b> 5 Years



#### PRODUCT FEATURES

- Replacement for conventional T8/T12 8-foot, single-pin fluorescent lamp
- Double-ended line voltage wiring: Connect power to each end for simplified installation
- 50,000+ hour lifetime
- Approximately 50% more energy efficient than standard F96T12 lamps
- Environmentally friendly: No mercury used
- NSF listed: NSF/ANSI Standard 2: Food equipment, splash zone (component level—not for direct food zone without additional fixture considerations)
- Compatible with KT-EMRG-LED-12-1200-AC and KT-EMRG-LED-12-1200-AC /DF LED emergency back ups
- Includes 1 C-clips to be installed with the lamps into the fixture ballast cover to prevent any potential undesired lamp twisting or sagging
- Frosted lens eliminates pixelation
- UL classified
- Operating Temperature: (-20°C/-4°F) (45°C/113°F)
- Working Humidity: 30%-85%
- Integral driver (isolated): Eliminates the need for external driver or ballast
- 140+ lumens per Watt
- Instant startup
- Not rated for use in Vapor Tight style fixtures

#### OPERATING SPECIFICATIONS

##### ELECTRICAL CHARACTERISTICS

Input Voltage	Power Consumption	Power Factor	Input Current
120–277Vac	25W	>0.9	0.21A @ 120V 0.09A @ 277V

##### PHOTOMETRIC CHARACTERISTICS

Color Temperature (CCT)	3500K
Luminous Flux	3500 lm
Color Rendering Index (CRI)	>80
Efficacy	145 lm/W
Beam Angle	325°

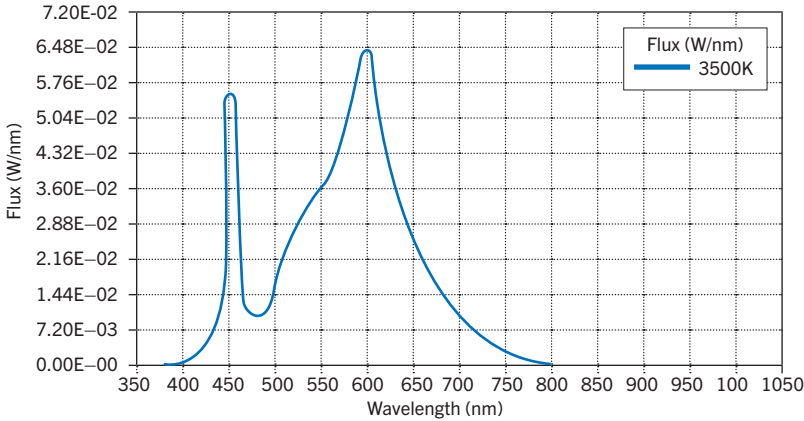
##### RATED LIFE

L70 (Hours)	50,000
-------------	--------

# KT-LED25T8-96G-835-D2

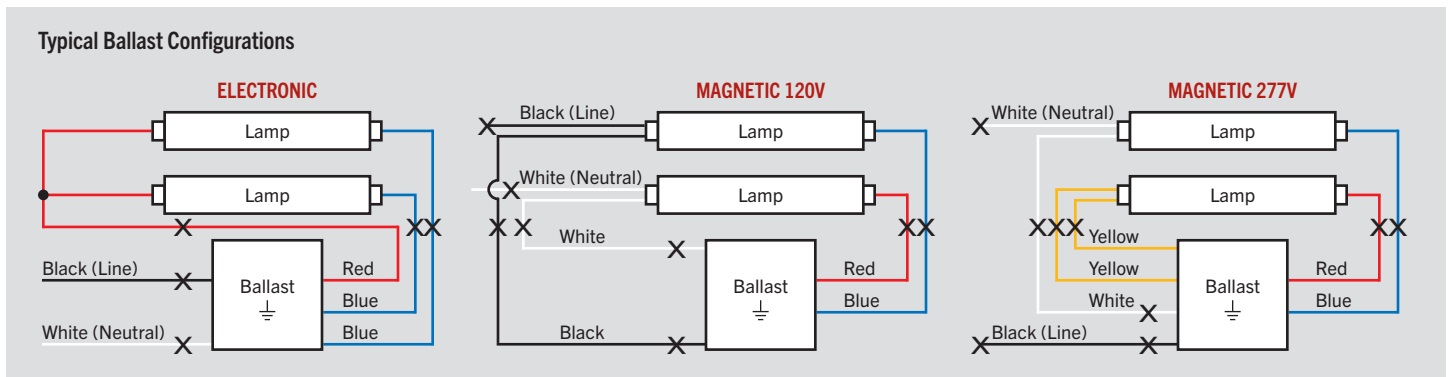
## T8 LED LAMP

### SPECTRAL DISTRIBUTION

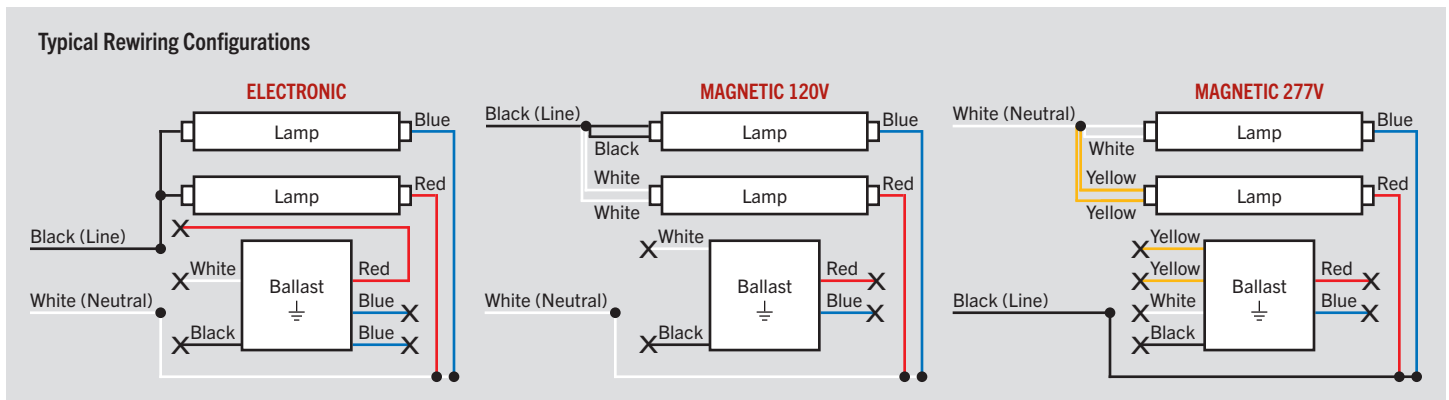


### WIRING INSTRUCTIONS

1. Identify ballast configuration as shown below and cut all wires connected to the ballast accordingly.



2. Confirm that the lampholders in the fixture are single-pin Fa8 lampholders. These DirectDrive LED tubes require single-pin Fa8 lampholders.
3. Rewire the fixture using existing lampholders, as shown below, according to the original ballast wiring configuration.

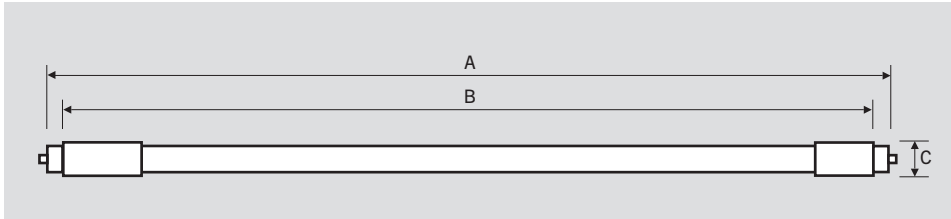




# KT-LED25T8-96G-835-D2

## T8 LED LAMP

### PHYSICAL CHARACTERISTICS



### LAMP DIMENSIONS

A (Body Length)	93.31"
B (Illuminated Length)	87.41"
C End Cap Diameter	1.31"
D Dimension	1.08"

**NOMINAL LENGTH:** 96"

**BASE TYPE:** Fa8 (Single-Pin)

### ORDERING INFORMATION

ORDER CODE	PACK QTY.	UPC	EASY CODE
KT-LED25T8-96G-835-D2	10	843654139982	SOL-72

### CATALOG NUMBER BREAKDOWN

# KT-LED25T8-96G-835-D2

1 2 3 4 5 6 7 8 9

- |                           |                       |
|---------------------------|-----------------------|
| 1 Keystone Technologies   | 6 Glass               |
| 2 LED Lamp                | 7 80 CRI              |
| 3 Wattage                 | 8 Color Temperature   |
| 4 Lamp Type               | 9 Double Drive Series |
| 5 Nominal Length (Inches) |                       |