



Replace conventional PAR16 halogen bulbs. Dimmable LED, 80 CRI.
 Color: White Weight: 0.1 lbs

Project:	Type:
Prepared By:	Date:

Driver Info		LED Info	
Watts	7W	Input Voltage	120V
Color Temp	2700K (Soft White)	Power Factor	0.7
Lumens	500	Flicker	<30%
Efficacy	76.9 LPW	THDi	N/A
Color Accuracy	80 CRI	R9	
L70 Accuracy	25,000		

Technical Specifications

Listings

UL Listed:

Yes

FCC:

Yes

Rohs:

Yes

CEC Status:

Not lawful for sale in California

ENERGY STAR V2.0:

This product is ENERGY STAR® Version 2.0 Certified

Energy Star ID:

2331238

Description

Dimmable:

Yes, down to 20%

Lamp Type:

Mini-reflector

Bulb Type:

PAR16

Base Type:

E26, Medium Screw Base

Material:

Plastic

Construction

Operating Temperature:

-20 - 45°C

MOL (inches):

2.89"

MOD (inches):

2.01"

LED Characteristics

Lifespan:

25,000-hour LED lifespan based on IES LM-70 results

Other

Equivalent:

50W Halogen PAR16

Warranty:

4 years

Optical

Beam Angle:

40°

MBCP:

1106

Technical Specifications (continued)

Shipping Information

Case Qty:

12

Case Dimensions:

8.583 x 6.496 x 3.701

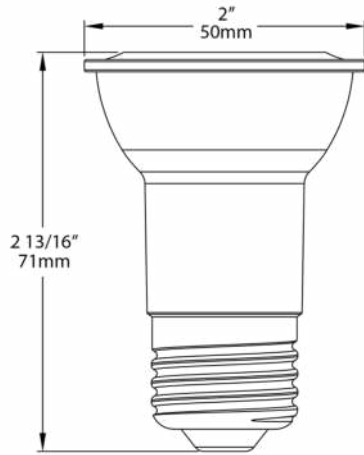
Pallet Quantity of Pieces:

3240

Pallet Dimensions:

42.91 x 38.98 x 48.11

Dimensions



Features

- SMALL REFLECTOR REPLACEMENT - Replaces conventional small-reflector lamps
- ENERGY SAVINGS - Save up to 85% on energy
- 25,000-HOUR LIFESPAN - Long-life product
- DAMP RATED - Suitable for damp locations
- DIMMABLE - Compatible with most common dimmer models
- 80 CRI - Ideal for general lighting applications

Ordering Matrix

Family	Lamp Power	CRI	Color Temp	Beam Angle	Dimmable
PAR16	6	8	27	40D	DIM
	6 = 50W	8 = 80 CRI	27 = 2700K 30 = 3000K 40 = 4000K 50 = 5000K	40D = 40 degrees	DIM = Dimmable