

# OAS Commercial Industrial Suspended Unit Heater



## Features

### Color

- Standard: almond.

### Finish

- Standard: epoxy/polyester powder paint.

### Voltage

- 208V, 240V, 277V, 347V, 480V, 600V, 1 or 3-phase.
- Some units may be field converted from 3 to 1-phase.

### Construction

- 18 and 20-gauge steel.
- Adjustable louvers to direct air flow.
- High-limit temperature control with automatic reset.

### Fan

- Totally enclosed factory-lubricated ball bearing motor (except for 15 to 25kW at 208/240V).
- 58 dBA fan (2 to 10kW), 67 dBA fan (15 to 30kW) and 77 dBA fan (40 to 60kW).
- Thermally-protected motor mounted in cold compartment.
- Fan delay purges heater of residual heat.

### Heating element

- Tubular heating elements; stainless steel (2 to 10kW); finned steel (15 to 60kW).
- Concentric disposition of heating elements.
- Factory sealed element upon request.

### Control

- Factory-installed contactor and 240/208V control circuit standard (with transformer if necessary).

- 24V relay, with or without transformer available.
- 120V control circuit available.
- Built-in thermostat available.

*Ouellet highly recommends to use a wall thermostat for greater comfort.*

*Any remote thermostat or relay must be connected to the heater control terminal block.*

### Installation

- Not for residential use in the United States.
- Horizontal mounting:
  - 2 to 30kW: wall or ceiling using the supplied brackets which allow 360° rotation.
  - 40 to 60kW: ceiling only secured by the supplied 4 hooks of suspension.
- Vertical mounting (except option -MD):
  - 2 to 60kW: using 4 threaded rods 1/2 in. X 13 UNC (not included).
- Diffuser cones available (except option -MD).
- Maximum recommended height (horizontal): 2 to 10kW: 8 ft. (2.4 m), 15 to 30kW: 10 ft. (3 m), 40 to 60kW: 15 ft. (4.5 m).
- Protective screen allows minimum horizontal mounting height:
  - Canada 2 to 30 kW: 24 in. (610 mm), 40 to 60kW: 8 ft. (2.4 m).
  - United States 2 to 30 kW 6 ft. (1.8 m), 40 to 60kW: 8 ft. (2.4 m).
- 30 °C (85 °F) maximum operating ambient temperature.

### Warranty

- 3-year warranty against defects.

### Application

- Commercial hall, warehouse, stairwell, factory.

# OAS

## Models

Product #	Volts	Phase	kW (BTU/Hr)	cfm	Temperature Rise		Motor	
					°C	°F	HP	rpm
OASU05000AM-T <sup>2</sup>	240	1	5.0 (17060)	700	13	23	1/30	1550
OASU07500AM-T <sup>2</sup>	240	1	7.5 (25590)	700	19	34	1/30	1550
OASU10000AM-T <sup>2</sup>	240	1	10.0 (34120)	700	25	45	1/30	1550
OASU05034AM-T <sup>2</sup>	480	3	5.0 (17060)	700	13	23	1/30	1550
OASU07534AM-T <sup>2</sup>	480	3	7.5 (25590)	700	19	34	1/30	1550
OASU10034AM-T <sup>2</sup>	480	3	10.0 (34120)	700	25	45	1/30	1550
OASU02008AM	208	1	2.0 (6824)	510	7	13	1/30	1550
OASU03008AM	208	1	3.0 (10236)	510	10	18	1/30	1550
OASU04008AM	208	1	4.0 (13648)	510	14	25	1/30	1550
OASU05008AM	208	1	5.0 (17060)	700	13	23	1/30	1550
OASU05038AM	208	3/1 <sup>1</sup>	5.0 (17060)	700	13	23	1/30	1550
OASU07538AM	208	3/1 <sup>1</sup>	7.5 (25590)	700	19	34	1/30	1550
OASU10008AM	208	1	10.0 (34120)	700	25	45	1/30	1550
OASU10038AM	208	3	10.0 (34120)	700	25	45	1/30	1550
OASU15038AM	208	3	15.0 (51180)	1300	20	36	1/8	1550
OASU20038AM	208	3	20.0 (68240)	1300	27	49	1/8	1550
OASU25038AM	208	3	25.0 (85300)	1300	34	61	1/8	1550
OASU02000AM	240	1	2.0 (6824)	510	7	13	1/30	1550
OASU03000AM	240	1	3.0 (10236)	510	10	18	1/30	1550
OASU04000AM	240	1	4.0 (13648)	510	14	25	1/30	1550
OASU05000AM	240	1	5.0 (17060)	700	13	23	1/30	1550
OASU05030AM	240	3/1 <sup>1</sup>	5.0 (17060)	700	13	23	1/30	1550
OASU07500AM	240	1	7.5 (25590)	700	19	34	1/30	1550
OASU07530AM	240	3/1 <sup>1</sup>	7.5 (25590)	700	19	34	1/30	1550
OASU10000AM	240	1	10.0 (34120)	700	25	45	1/30	1550
OASU10030AM	240	3/1 <sup>1</sup>	10.0 (34120)	700	25	45	1/30	1550
OASU15030AM	240	3	15.0 (51180)	1300	20	36	1/8	1550
OASU20030AM	240	3	20.0 (68240)	1300	27	49	1/8	1550
OASU25030AM	240	3	25.0 (85300)	1300	34	61	1/8	1550
OASU02077AM	277	1	2.0 (6824)	510	7	13	1/30	1550
OASU03077AM	277	1	3.0 (10236)	510	10	18	1/30	1550
OASU04077AM	277	1	4.0 (13648)	510	14	25	1/30	1550
OASU05077AM	277	1	5.0 (17060)	700	13	23	1/30	1550
OASU07577AM	277	1	7.5 (25590)	700	19	34	1/30	1550
OASU02034AM	480	3	2.0 (6824)	510	7	13	1/30	1550
OASU03034AM	480	3	3.0 (10236)	510	10	18	1/30	1550
OASU04034AM	480	3	4.0 (13648)	510	14	25	1/30	1550
OASU05034AM	480	3	5.0 (17060)	700	13	23	1/30	1550
OASU07534AM	480	3	7.5 (25590)	700	19	34	1/30	1550
OASU10034AM	480	3	10.0 (34120)	700	25	45	1/30	1550
OASU15034AM	480	3	15.0 (51180)	1400	19	34	1/3	1725
OASU20034AM	480	3	20.0 (68240)	1400	25	45	1/3	1725
OASU25034AM	480	3	25.0 (85300)	1400	31	56	1/3	1725
OASU30034AM	480	3	30.0 (102360)	1400	38	68	1/3	1725
OASU40034AM	480	3	40.0 (136480)	2000	35	63	3/4	1140
OASU50034AM	480	3	50.0 (170600)	2000	44	79	3/4	1140
OASU60034AM	480	3	60.0 (204720)	2000	53	95	3/4	1140

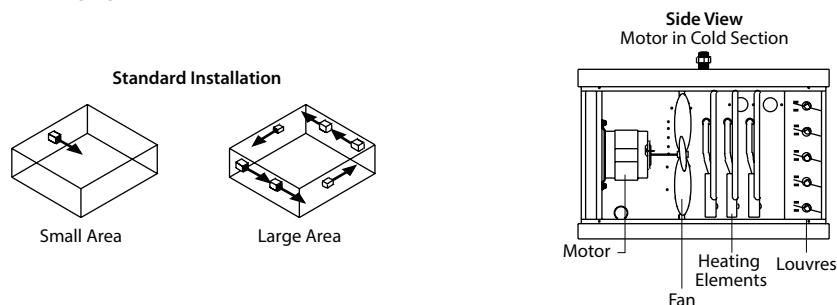
<sup>1</sup> Models with the indications "3/1" can be field converted from 3 to 1-phase.

<sup>2</sup> Come with built-in thermostat.

Standard color is almond.

Add -MD to suffix for special Mine Duty Feature. 600V available upon request. 240V, 3-phase and 480V, 1-phase available upon request.

Remember to change the 3 for 0 when ordering. E.g.: OASU05034 becomes OASU05004.



# OAS

## Options

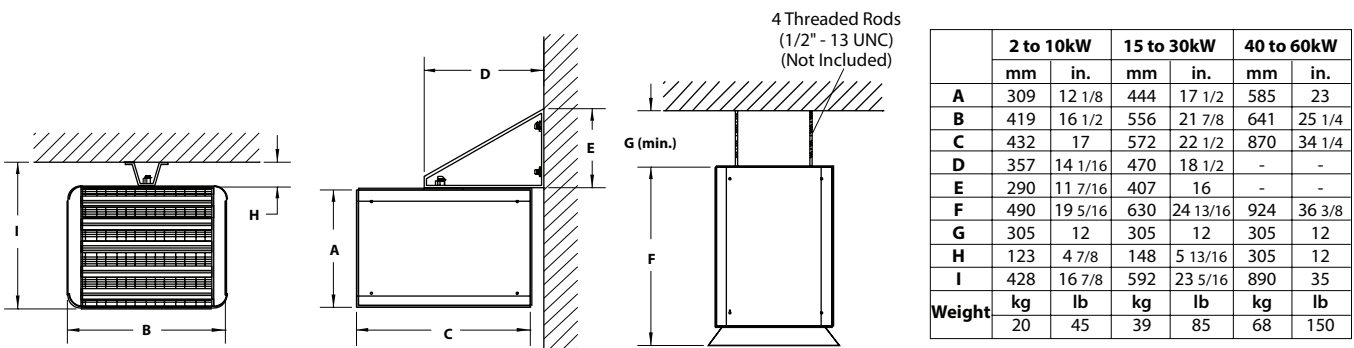
Product # Kit	Product # Factory installed*	Description
-	120	120V control circuit
-	3P	Triple-pole contactor
KIT-OAS-CD1AM	-	Diffuser cone, 2 to 10kW units
KIT-OAS-CD2AM	-	Diffuser cone, 15 to 30kW units
KIT-OAS-CD3AM	-	Diffuser cone, 40 to 60kW units
-	CV	Summer fan switch
-	DIS40 <sup>3</sup>	Disconnect switch, 40A
-	DIS80 <sup>3</sup>	Disconnect switch, 80A
-	DIS100 <sup>3</sup>	Disconnect switch, 100A
-	ES <sup>1</sup>	Factory sealed element
-	FANAM	Fan blades with almond epoxy/polyester coating
-	MD <sup>2</sup>	Mine duty
KIT-OAS-R	R	24V relay, without transformer
-	RCV240	Summer fan relay 240V, remote control (switch not included)
KIT-OAS-RT	RT	24V relay, with transformer
KIT-OAS-T	T	Thermostat

\* For factory installed options, add the option number to the product number. See the **Product Code** section inside the front cover.

<sup>1</sup> The option "sealed element" increases the reliability of these in humid environments. It does not completely eliminate the leakage currents of metal sheathed heating elements.

<sup>2</sup> See features below.

<sup>3</sup> For the U.S. only: The nominal current of the unit must not exceed 80% of the capacity of the disconnect.



### MD Features of Mine Duty Option

- Drip shield.
- Sealed wiring compartment.
- Hinged door with neoprene gasket.
- Element delay on ON cycle (fan delay on OFF cycle).
- Heavy duty 18-gauge grille.
- Double-pole contactor.
- Heating element can be factory sealed upon request to minimize moisture absorption (option -ES).

